

PLANTER with BENCH

3rd Floor

FINISHES

JN-01



www.wood-styles.com

Copyright of designs shown herein is retained by this office. Authority is required for any reproduction. © Copyright Wood-styles Ltd.

Nigeria, Lagos +234 80 9037 9888

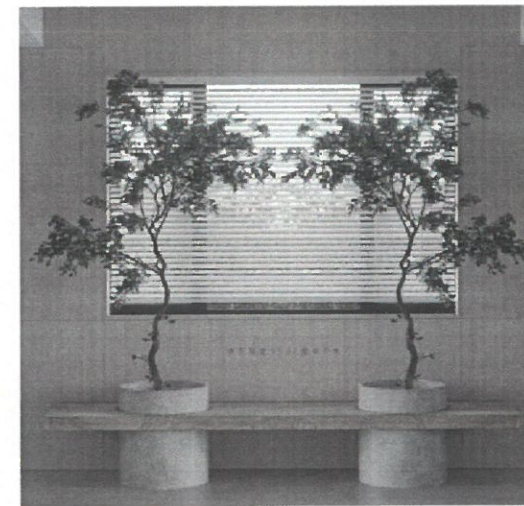
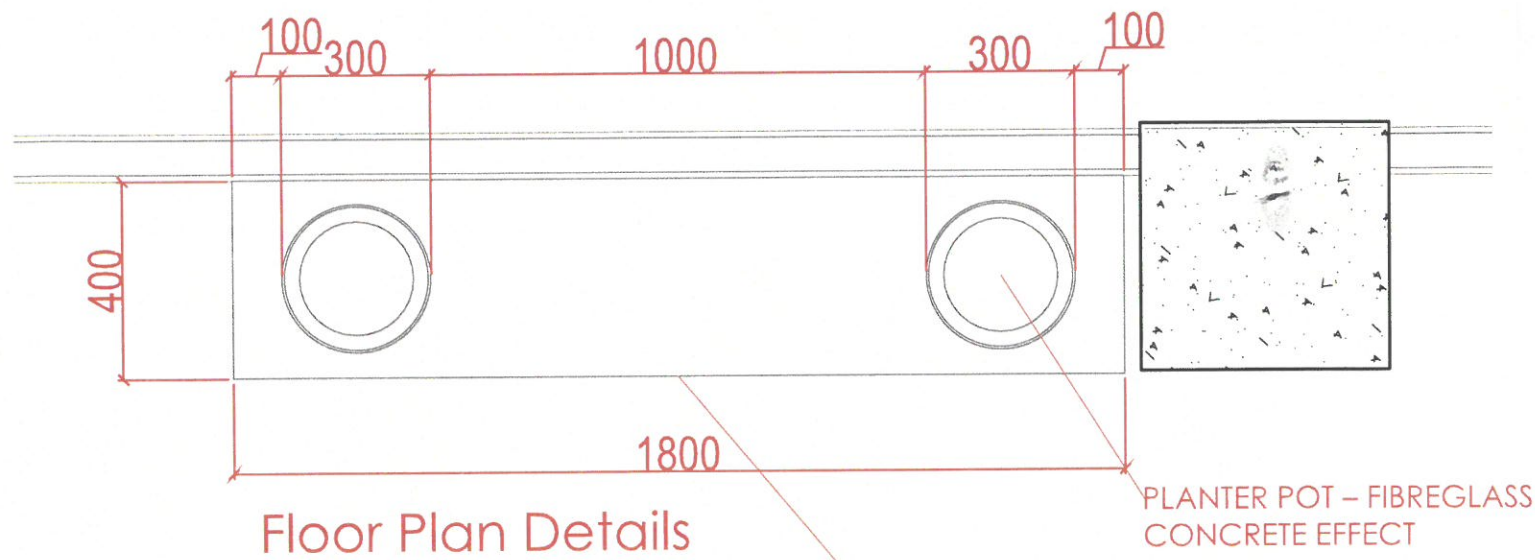
Email: info@wood-styles.com

Project



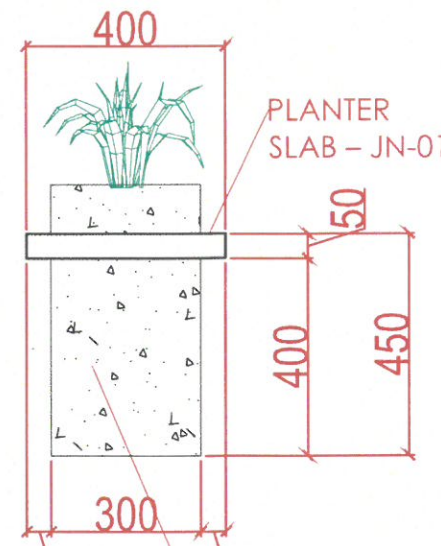
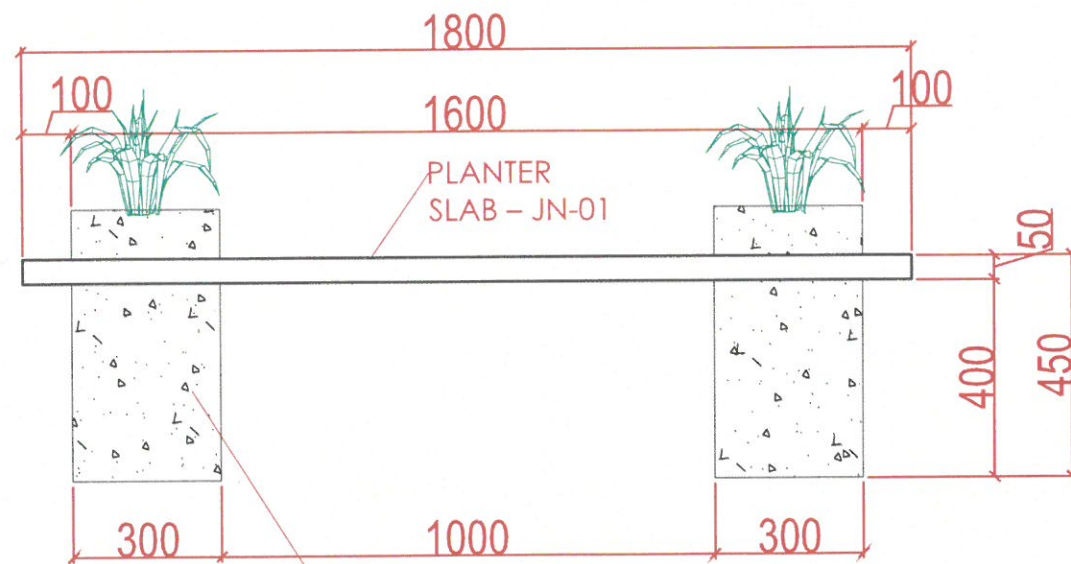
Owner

Date Description
DSD-V1-ID-27/1/2025 - REV1



PLANTER SLAB - JN-01

PLANTER POT - FIBREGLASS CONCRETE EFFECT



PLANTER POT - FIBREGLASS (CONCRETE EFFECT)

- 1. 1800 X 400 X 18 => 29cs oak + any 50
- 2. 1800 X 50 X 18 => 29cs oak + any
- 3. 400 X 50 X 18 => 29cs oak + any

PLANTER POT - FIBREGLASS (CONCRETE EFFECT)



to get fibre glass???

FOR APPROVAL

Project No. : ---
Scale : N/A
Drawn by : OBJ
Checked : OBJ
Cad File : CAD_FILE

Sheet title
3rd FLOOR
PLANTER with BENCH
Elevation /Sections

Dwg No. No.
WS-DS-SD-ND-050 SHEET 1